





Z2 left/right swing package



At the pinnacle of luxury, the Z2 chair is designed for ultimate comfort and optimal operator access. Offering quality, performance, and style the chair's contoured shape gives the practice a first-class look and the patients the comfort they deserve. Meticulously detailed and manufactured with only the finest materials, it's easy to see why the Z2 chair is unmatched in both quality and comfort.

- A **Z2** Chair with Swing Bracket
- B LED Swing Mounted Light
- C 4HP Automatic Swing Mounted
- D Rear Swing Mounted Assistant's Arm with SE, HVE and 3-way Syringe
- E Water Bottle System
- F Deluxe Doctor's Stool (shown in post mounted package)
- G Deluxe Assistant's Stool (shown in post mounted package)

Features

- Cast aluminum with steel reinforcement
- Powder-coat baked finish
- Hydraulic base & back
- Synchronized back & seat movement
- Adjustable backrest speed
- Adjustable base down speed
- 2 Programmable pre-positions
- Trendelenburg position
- Automatic return
- Foot control
- Side chair touch pads
- Swivel armrests
- 60° horizontal swivel base
- Double articulating headrest
- Trip pan safety shut-off



Inside dental systems

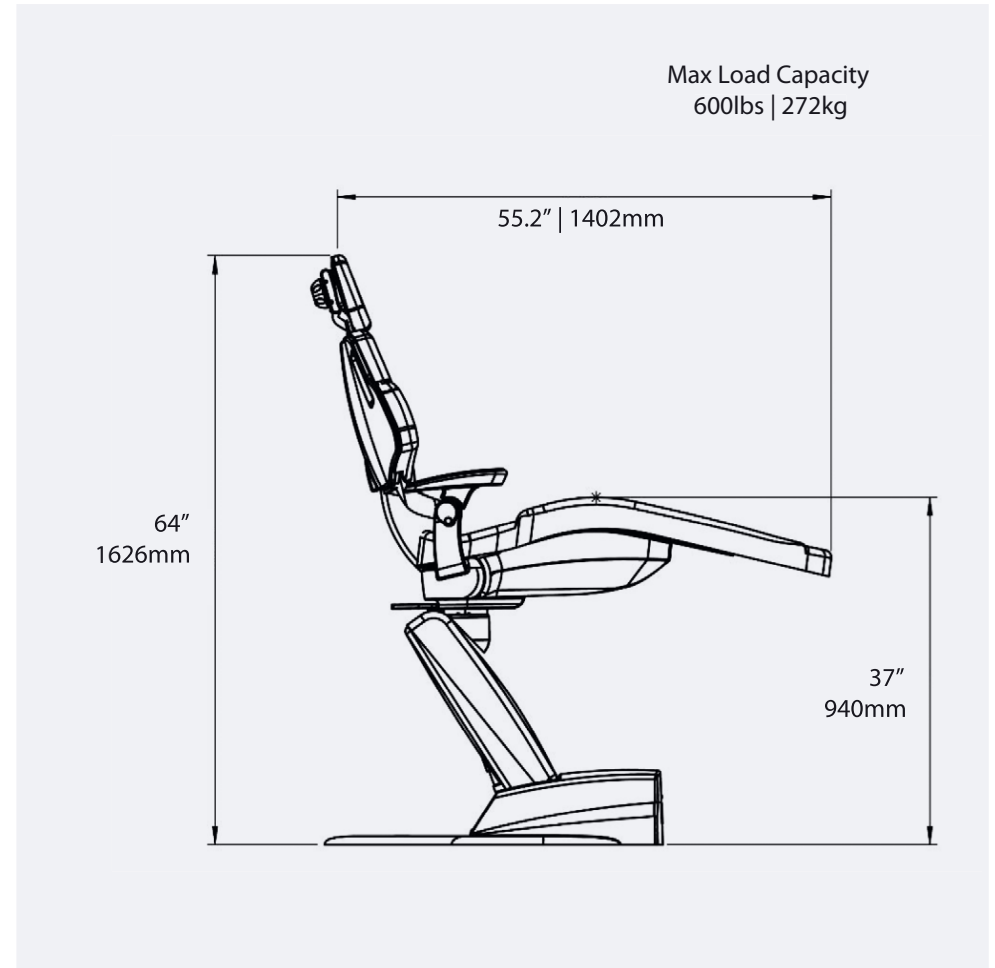
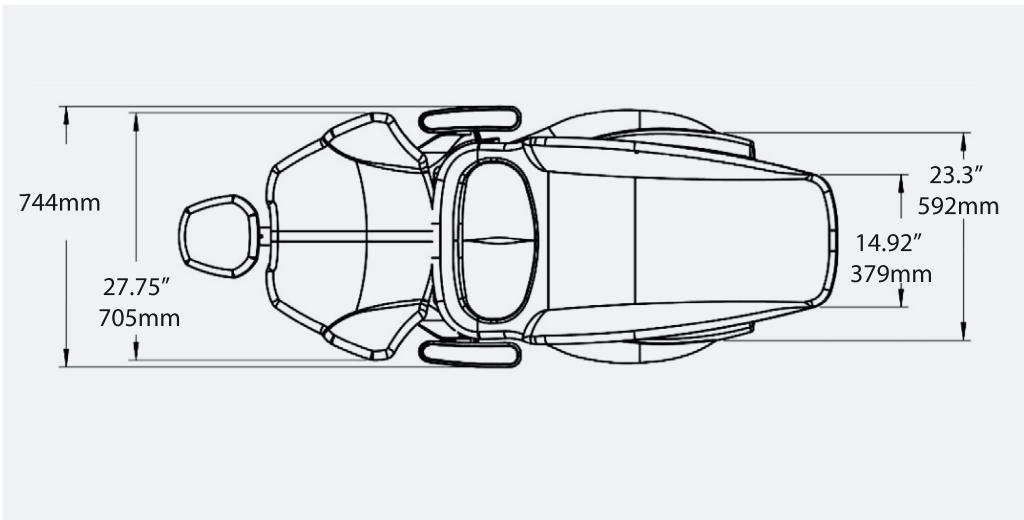
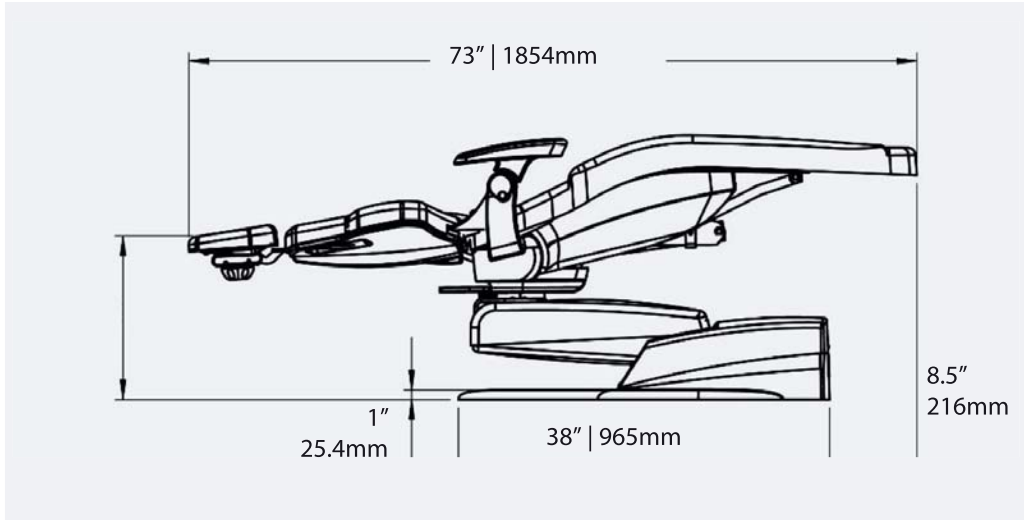
Since its founding in 1998, Zakton LLC has been an internationally recognized manufacturer of high quality, durable dental equipment. Made in USA, Zakton line of chairs provides the user with proven functionality, dependable mechanics, and undeniable value.

The Z2 Chair is constructed with cast aluminum and steel reinforcement. With a quiet and smooth hydraulic operation, the chair is comfortable, easy-to-use and virtually maintenance free. Providing innovative solutions to any dental practice is our goal. We aim to sustain consistent quality in our dental equipment, and we stand by our mission by providing an industry leading 5 year warranty.

The satisfaction of our customers is paramount, which is why our dedicated customer service team and highly skilled technical service department provide our customers with the support they need from their dental equipment manufacturer.



Inside dental systems



Z2 post mounted package

Pictured here is the Z2 Post Mounted Package showcasing the traditional method of mounting the operatory equipment.

* Shown with optional telescoping assistant's arm and unit mounted chair control pad



- A Z2 Chair
- B LED Light
- C 4HP Automatic Delivery Unit
- D Cuspidor
- E Air & Water Quick Disconnect
- F Deluxe Doctor's Stool
- G Deluxe Assistant's Stool
- H Water Bottle System



Optional Narrow Back Z2 Chair

A narrow back Z2 chair is available, reducing the width of the backrest from 27.75" (704.85mm) to 20.5" (520.70mm), with optional arm-sling attachments for increased patient comfort. This back option allows the doctor closer access to the oral cavity.

OPTIONAL FEATURES

It's Your Choice – Additional instrumentation options include: post mounted assistant's arm, unit mounted chair control pad, and left/right swing cuspidor.



Assistant's Arm with SE, HVE, and Syringe



Unit Mounted Chair Control Pad



Swing Mounted Cuspidor with SE, HVE and Syringe



Dental unit

STANDARD CONFIGURATION

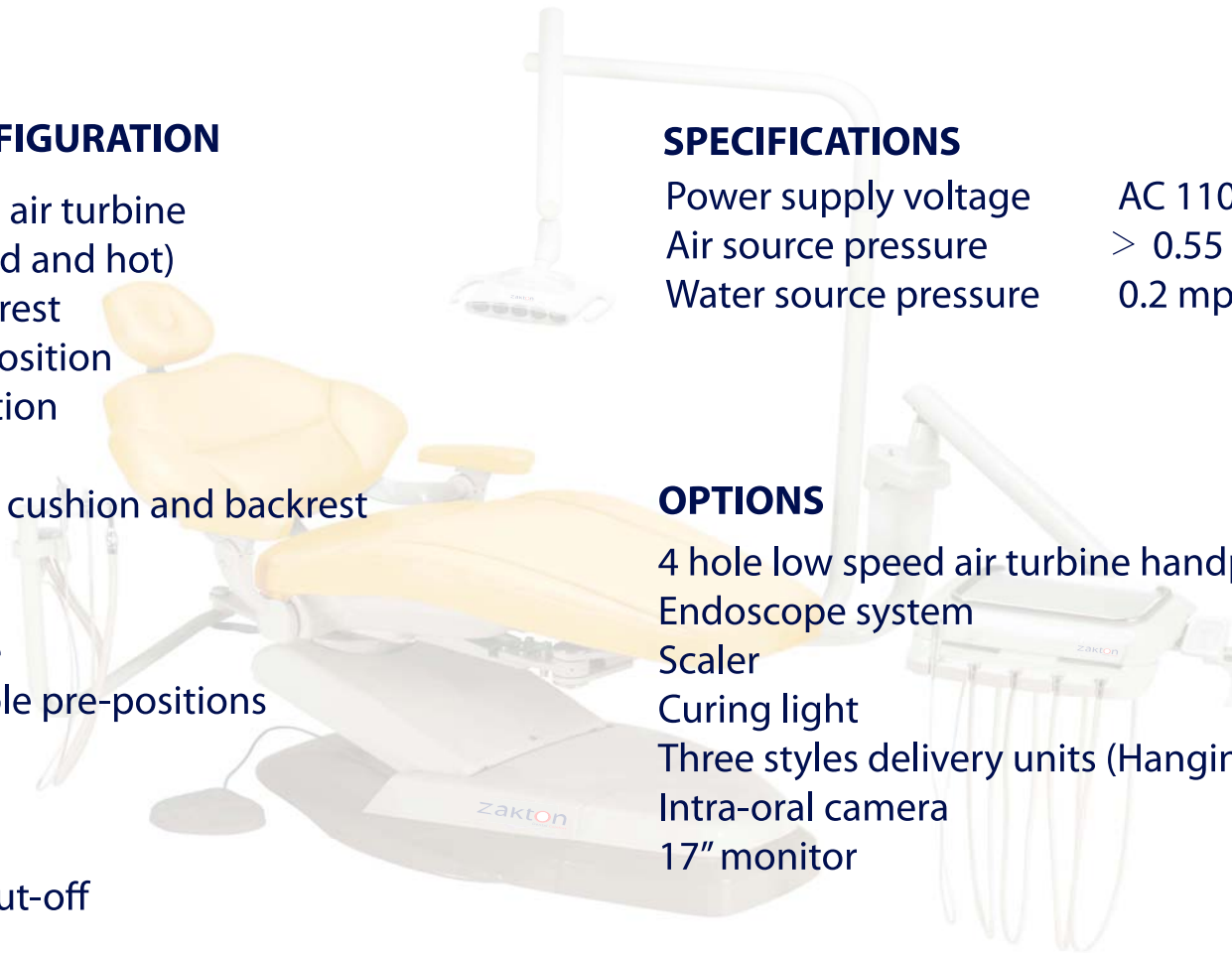
4 hole high speed air turbine
3 way syringe (cold and hot)
All direction headrest
Rotary assistant position
Big and small suction
Ceramic spitton
Sanitary seamless cushion and backrest
Dentist stool
Assistant stool
Lower chair frame
Two programmable pre-positions
Automatic return
Foot control
Swivel armrests
Trip pan safety shut-off
Led light
Load capacity: 300 Kg

SPECIFICATIONS

Power supply voltage AC 110/240 Volt, 50/60 Hz
Air source pressure > 0.55 mpa
Water source pressure 0.2 mpa - 0.4 mpa

OPTIONS

4 hole low speed air turbine handpiece
Endoscope system
Scaler
Curing light
Three styles delivery units (Hanging/Swinging)
Intra-oral camera
17" monitor



ZAKTON LLC

3460 South Federal Blvd - #D
Sheridan, Colorado 80113, USA

+1 701 540 0101

+1 720 483 8900

+961 3 145427