



Z3 Affordable & comfortable Left / Right package

The Z3 chair brings class and efficiency to your practice. With a unit that is optimized for premium patient comfort and instrumentation that is functional and reliable, the Z3 chair is the perfect fit for any practice looking to add performance and style to their operatory.



Z3 Affordable & comfortable Standard package

The Z3 Line is available either post mounted or left/right swing mounted to best fit the needs of the operator. Stream lined for success the Z3 packages come equipped with the Operatory Light, 4 HP Automatic Delivery Unit and either a cuspidor (post mounted or swing mounted) and assistant's arm (post mounted or swing mounted)



Inside dental systems

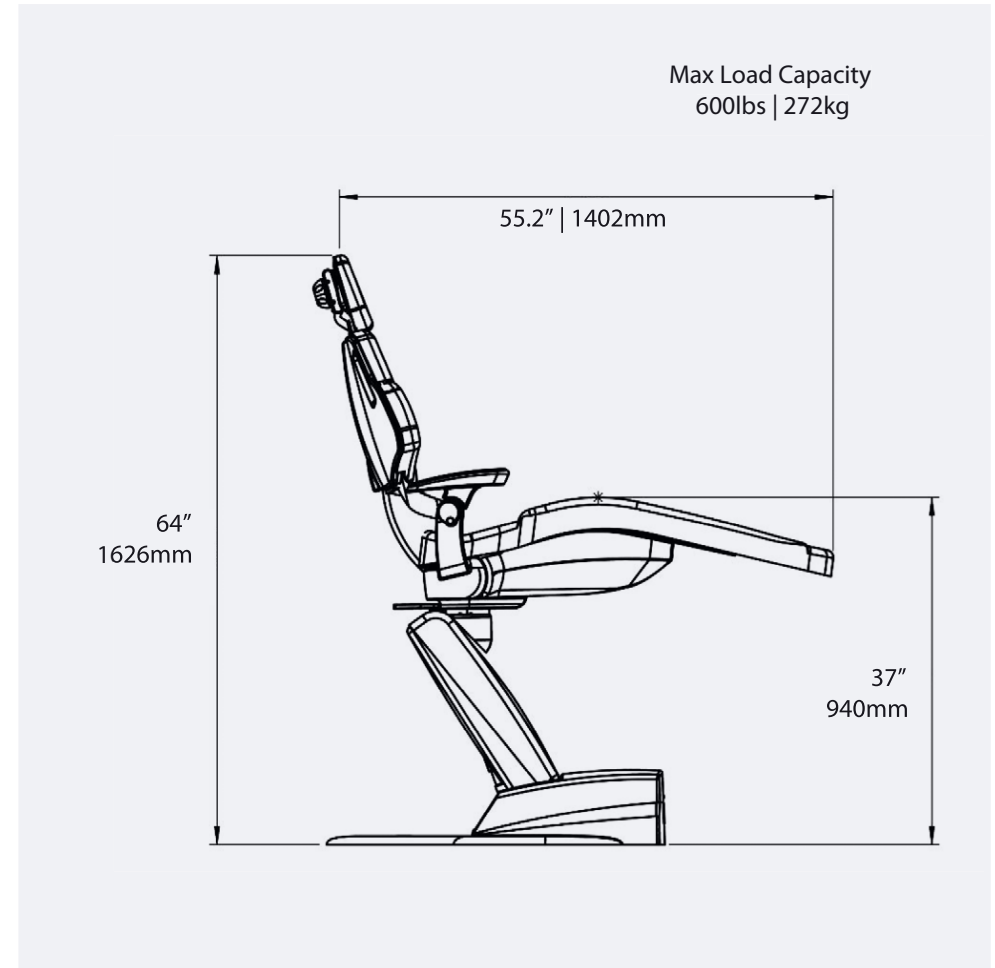
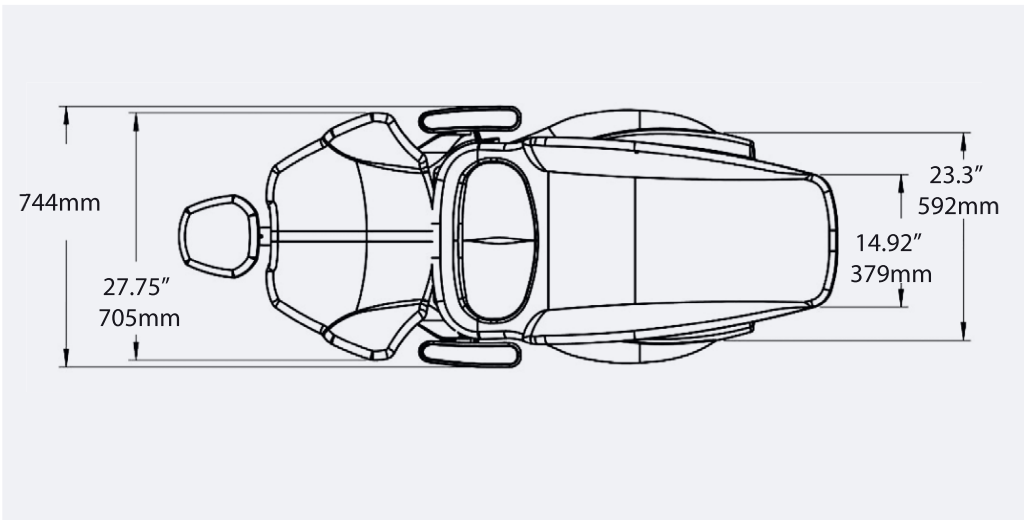
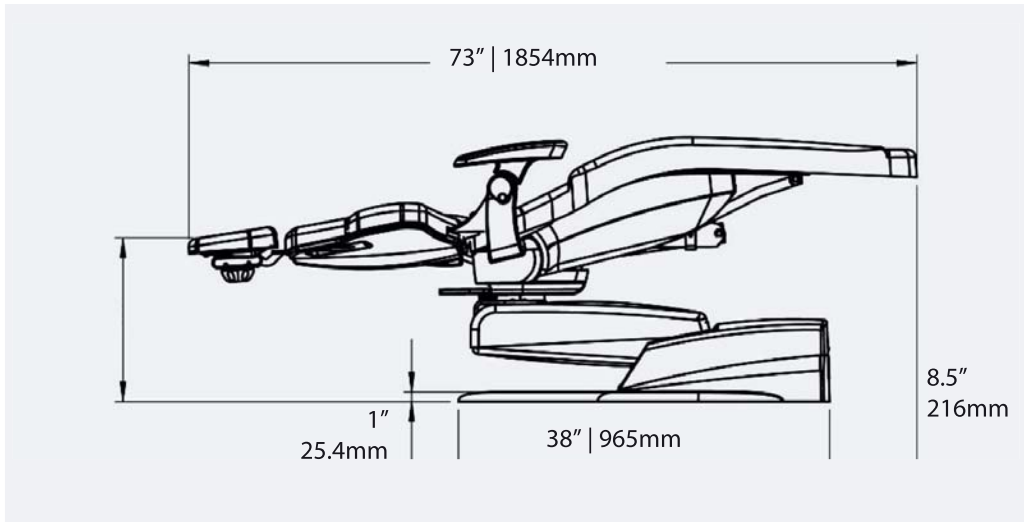
Since its founding in 1998, Zakton LLC has been an internationally recognized manufacturer of high quality, durable dental equipment. Made in USA, Zakton line of chairs provides the user with proven functionality, dependable mechanics, and undeniable value.

The Z3 Chair is constructed with cast aluminum and steel reinforcement. With a quiet and smooth hydraulic operation, the chair is comfortable, easy-to-use and virtually maintenance free. Providing innovative solutions to any dental practice is our goal. We aim to sustain consistent quality in our dental equipment, and we stand by our mission by providing an industry leading 5 year warranty.

The satisfaction of our customers is paramount, which is why our dedicated customer service team and highly skilled technical service department provide our customers with the support they need from their dental equipment manufacturer.



Inside dental systems



OPTIONS

Standard Doctor's Stool



Back and base adjustments
Dual caster wheels
16" seat diameter
3" thick round seat
Adjusts from approximately 18" to 23" high

Standard Assistant's Stool



Back and base adjustments
Upholstered, adjustable torso support
Dual caster wheels
Fixed foot ring
16" seat diameter
3" thick round seat
Adjusts from approximately 18" to 23" high

Delivery Units

4HP
Automatic Post
Mounted Delivery
Unit



4HP
Automatic Swing
Mounted Delivery
Unit





Dental unit

STANDARD CONFIGURATION

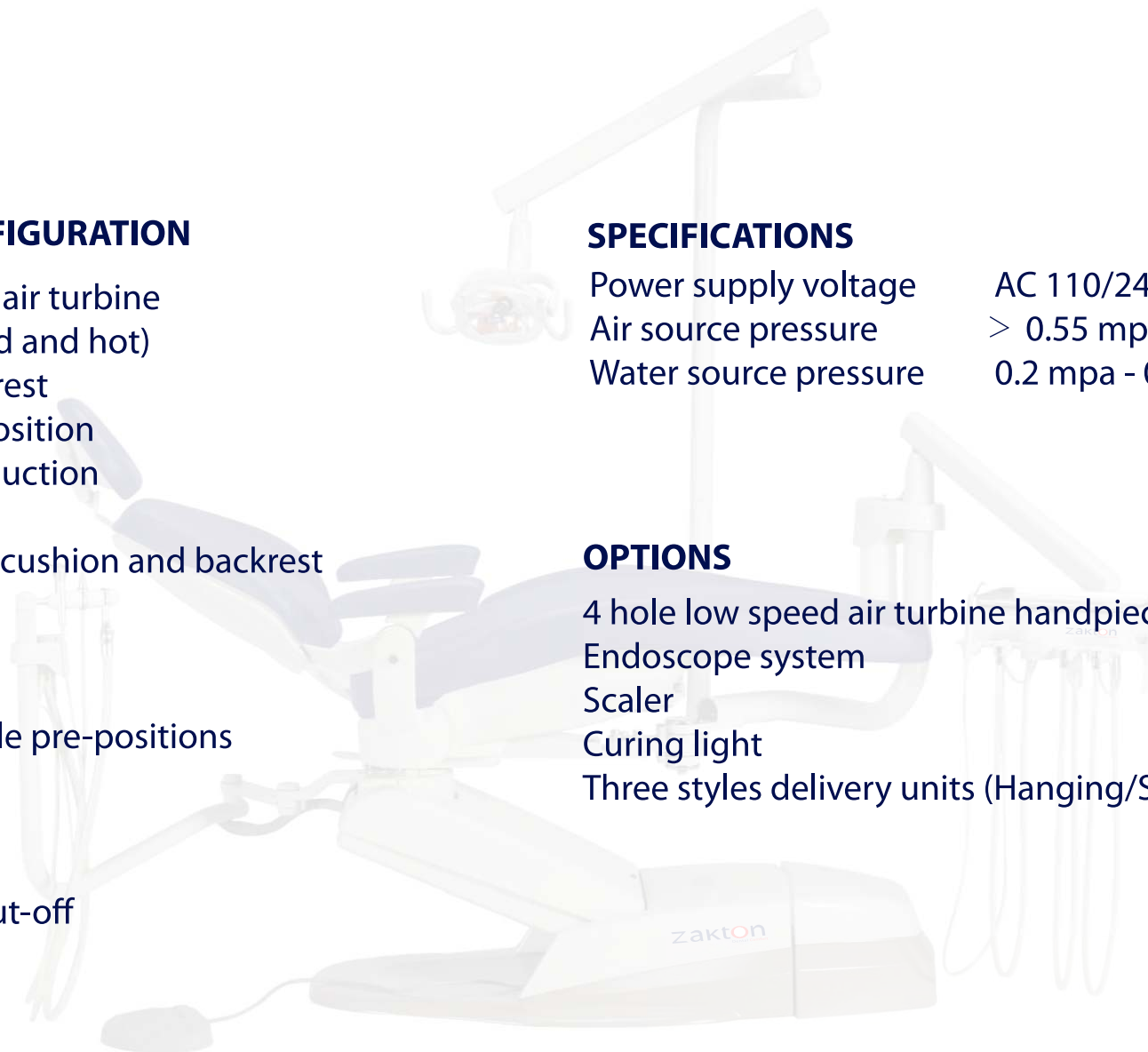
- 4 hole high speed air turbine
- 3 way syringe (cold and hot)
- All direction headrest
- Rotary assistant position
- Strong and weak suction
- Ceramic spitton
- Sanitary seamless cushion and backrest
- Dentist stool
- Assistant stool
- Lower chair frame
- Two programmable pre-positions
- Automatic return
- Foot control
- Swivel armrests
- Trip pan safety shut-off

SPECIFICATIONS

Power supply voltage	AC 110/240 Volt, 50/60 Hz
Air source pressure	> 0.55 mpa
Water source pressure	0.2 mpa - 0.4 mpa

OPTIONS

- 4 hole low speed air turbine handpiece
- Endoscope system
- Scaler
- Curing light
- Three styles delivery units (Hanging/Swinging)



ZAKTON LLC

3460 South Federal Blvd - #D
Sheridan, Colorado 80113, USA

+1 701 540 0101

+1 720 483 8900

+961 3 145427