



# Z4 post mounted package

The sleek styling and finely detailed specifications make the Z4 Chair a true front-runner in the industry.



\* Shown with optional Water Bottle System

Tailored to fit the needs of any practice, the Z4 Chair provides flexibility in its accessory and instrumentation options allowing the user to determine the appropriate setup for their practice.

Without sacrificing quality or dependability, the Z4 Chair is designed to give a practice the innovations of tomorrow at a price the user can afford today.

- A Z4 Chair
- B Light
- C 3HP Automatic Delivery System
- D Cuspidor with SE & HVE
- E Standard Doctor's Stool (shown with Swing Mounted Package)
- F Standard Assistant's Stool (shown with Swing Mounted Package)
- G Water Quick Disconnect

# Features

- All steel base & backrest assembly
- Powder-coated baked finish
- Hydraulic base & back
- Adjustable backrest speed
- Adjustable base down speed
- 1 programmable pre-position
- Automatic return
- Foot control
- Side chair touch pads
- Swivel armrests
- Double articulating headrest
- 60° horizontal swivel base
- Floor grip rubber lining



# Inside dental systems

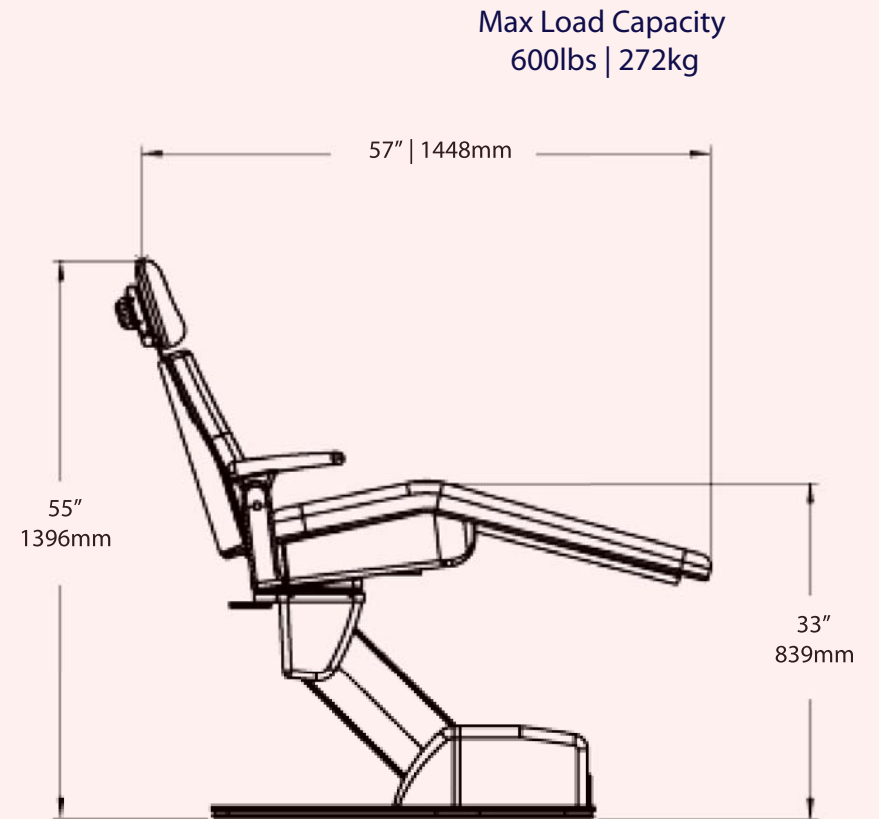
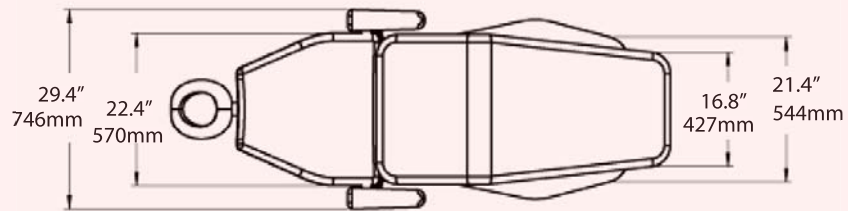
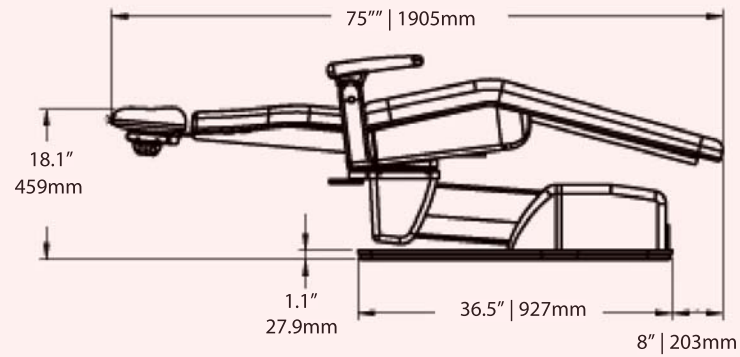
Since its founding in 1986, Zakton LLC has been an internationally recognized manufacturer of high quality, durable dental equipment. Made in USA, Zakton line of chairs provides the user with proven functionality, dependable mechanics, and undeniable value.

Constructed with steel, the Z4 Chair is designed to last a lifetime. With a quiet and smooth hydraulic operation, the chair is comfortable, easy-to-use and virtually maintenance free. Providing innovative solutions to any dental practice is our goal. We aim to sustain consistent quality in our dental equipment, and we stand by our mission by providing an industry leading five (5) year warranty.

The satisfaction of our customers is paramount, which is why our dedicated customer service team and highly skilled technical service department provide our customers with the support they need from their dental equipment manufacturer.



# Inside dental systems



## Z4 left/right swing mounted package



Pictured here is the Z4 Left / Right Swing Mounted Package which allows the operator to position the equipment on either side of the chair, providing more flexibility to the operator.

Standard Doctor's Stool



F

Standard Assistant's Stool



F

- A Z4 Chair with Swing Bracket
- B Swing Mounted Light
- C 3HP Automatic Swing Mounted Delivery Unit
- D Rear Swing Mounted Assistant's Arm
- E Standard Doctor's Stool
- F Standard Assistant's Stool

## Z4 post mounted package with assistant's arm



### OPTIONAL FEATURES

It's Your Choice – Additional instrumentation options include: left/right swing cuspidor, pinch type headrest, post mounted assistant's arm (shown above), water bottle system (shown above), and unit mounted chair control pad.

Swing Mounted Cuspidor with SE, HVE and Syringe



Pinch Type Headrest



Unit Mounted Chair Control Pad





## STANDARD CONFIGURATION

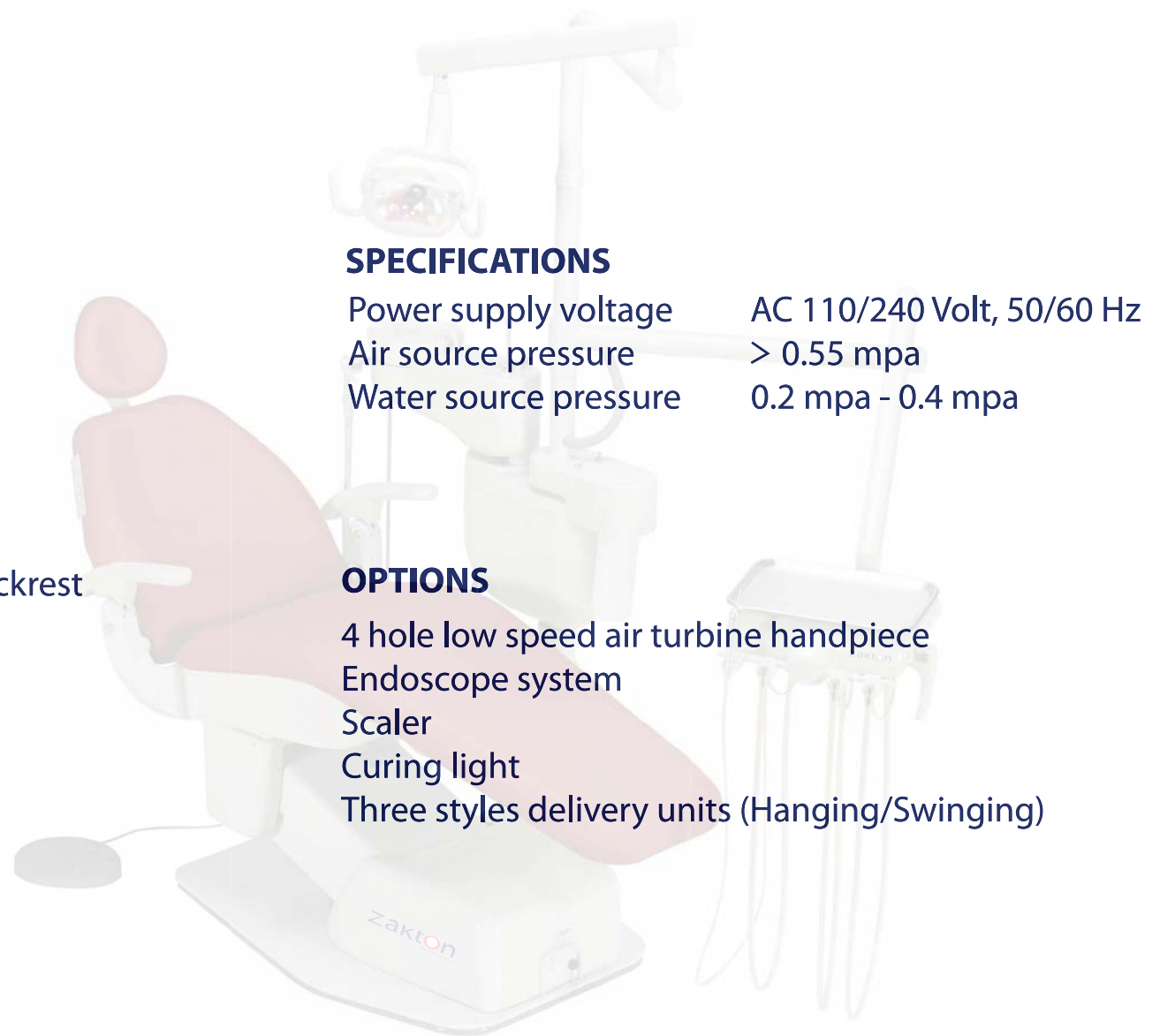
- 4 hole high speed air turbine
- 3 way syringe (cold and hot)
- All direction headrest
- Rotary assistant position
- Strong and weak suction
- Ceramic spitton
- Sanitary seamless cushion and backrest
- Dentist stool
- Assistant stool
- Lower chair frame
- One programmable pre-position
- Automatic return
- Foot control
- Swivel armrests
- Trip pan safety shut-off

## SPECIFICATIONS

Power supply voltage	AC 110/240 Volt, 50/60 Hz
Air source pressure	> 0.55 mpa
Water source pressure	0.2 mpa - 0.4 mpa

## OPTIONS

- 4 hole low speed air turbine handpiece
- Endoscope system
- Scaler
- Curing light
- Three styles delivery units (Hanging/Swinging)



**ZAKTON LLC**

3460 South Federal Blvd - #D  
Sheridan, Colorado 80113, USA

+1 701 540 0101

+1 720 483 8900

+961 3 145427